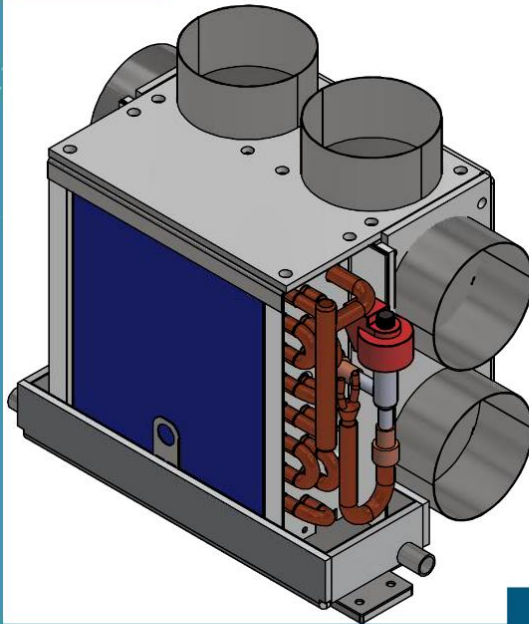


# MR MAXI12 AIR HANDLER

DATASHEET



## CAPACITY

Air flow m <sup>3</sup> / h	100	400	600
Cooling Kw	1,0	2,0	3,0
Heating Kw	1,0	2,0	3,0

<b>Static pressure:</b>	600 Pa
<b>Power supply:</b>	230 Vac 50/60 Hz
<b>Power consumption:</b>	50 Watts
<b>Control:</b>	Data bus rs485 Modbus RTU
<b>Size W x D x H:</b>	351 x 207 x 248 mm
<b>Weight:</b>	4,5 Kg
<b>Frame:</b>	Stainless steel 316
<b>Air working range:</b>	-20°C to +50°C
<b>Noise:</b>	10 dB min - 35 dB max
<b>Vibration:</b>	No significant vibration
<b>Air duct size mm:</b>	1 x 100
<b>Refrigerant pipe:</b>	1/2" Gas      1/4" Liquid